



Project \_\_\_\_\_  
 AIA # \_\_\_\_\_ SIS # \_\_\_\_\_  
 Item # \_\_\_\_\_ Quantity \_\_\_\_\_ C.S.I. Section 114000

## UST SERIES

Compact Sandwich Prep Tables with Flat Cover/Self-Contained



### STANDARD PRODUCT FEATURES

- High Quality Stainless Steel Exterior Top, Sides & Door(s)
- Durable, Corrosion Resistant Anodized Aluminum Interior
- Provides NSF Standard 7 Performance, Even When Using 6" Deep Pans
- Standard Work Height 34<sup>3</sup>/<sub>8</sub>" on 4" casters
- Environmentally Friendly, Low GWP R-290 Refrigerant
- Top Cut-Outs Accommodate Sixth Size Pans (divider bars and 4" deep plastic sixth size pans provided)
- Reinforced Pan Ledge (holds pans securely level)
- Reversible, Full Length White Nylon Cutting Board
- Self-Closing Stainless Steel Doors with Convenient Stay-Open Feature at 105 Degrees
- Electronic Control
- Two (2) Powder Coated Steel Shelves Per Door, Mounted on Adjustable Pilasters
- Set of Four (4) 4" Casters
- Magnetic Snap-In EZ-Clean Door Gasket(s)



This unit is listed to the applicable ETL and NSF Standards by an approved NRTL. Consult the factory or unit's data plate for approval information.

### ACCESSORIES & OPTIONS (\*field installed)

- CK20 (four 6" (15.2 cm) high casters for 48" models)
- CK24 (four 3<sup>1</sup>/<sub>2</sub>" (8.9 cm) high casters for 48" models)
- CK26 (four 2<sup>3</sup>/<sub>4</sub>" (6.9 cm) high casters for 48" models)
- LK4 (four 6" (15.24 cm) high legs for 48" models)
- SHELF48-UPPER (upper shelf for 48" models)
- SHELF48-LOWER (lower shelf for 48" models)
- Optional accessory kits shipped separately for field installation

### AVAILABLE CONFIGURATIONS

48" Wide Models

Model	Model Type	Hinging
UST488-LR	48" Wide 8 Pan	Left/Right
UST488-LL	48" Wide 8 Pan	Left/Left
UST488-RR	48" Wide 8 Pan	Right/ Right
UST4812-LR	48" Wide 12 Pan	Left/Right
UST4812-LL	48" Wide 12 Pan	Left/Left
UST4812-RR	48" Wide 12 Pan	Right/ Right
UST4818-LR	48" Wide 18 Pan	Left/Right
UST4818-LL	48" Wide 18 Pan	Left/Left
UST4818-RR	48" Wide 18 Pan	Right/ Right

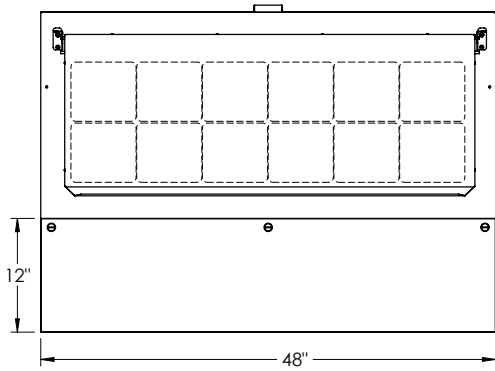
### FACTORY INSTALLED OPTIONS

- Stainless Steel Finished Back (model numbers will have '-SB' suffix)

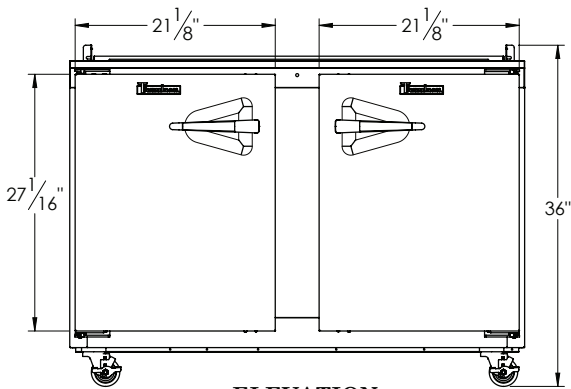
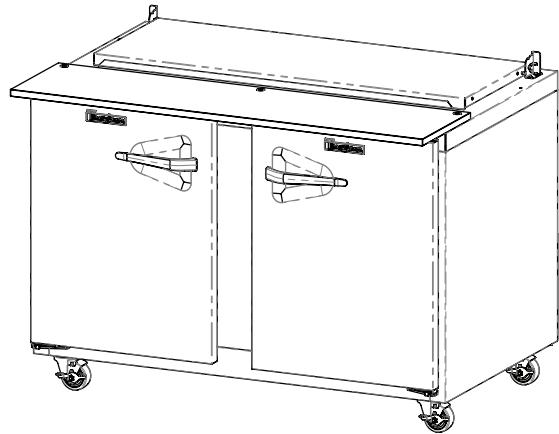
**- GUARANTEED FOR LIFE WORKFLOW DOOR HANDLES**

Approved by \_\_\_\_\_ Date \_\_\_\_\_ Approved by \_\_\_\_\_ Date \_\_\_\_\_

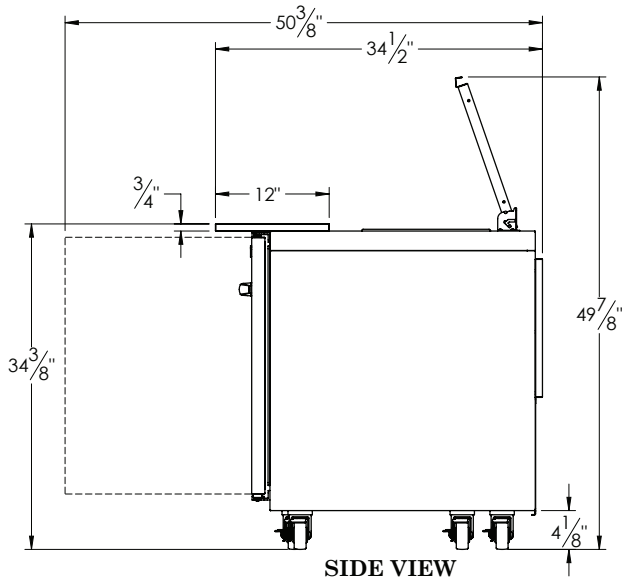
MODEL:  
UST4812-LR



TOP VIEW



ELEVATION

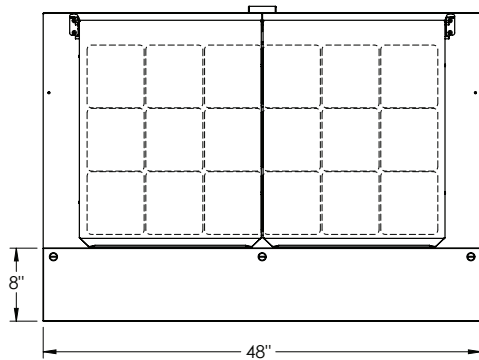


SIDE VIEW

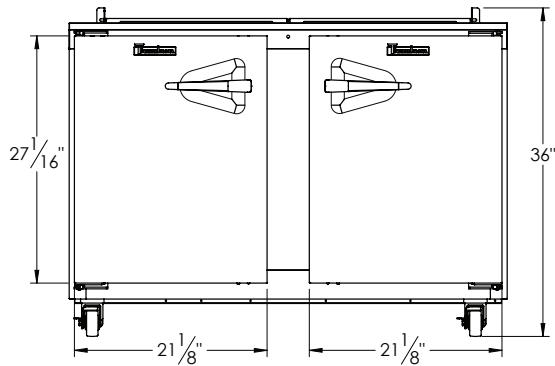
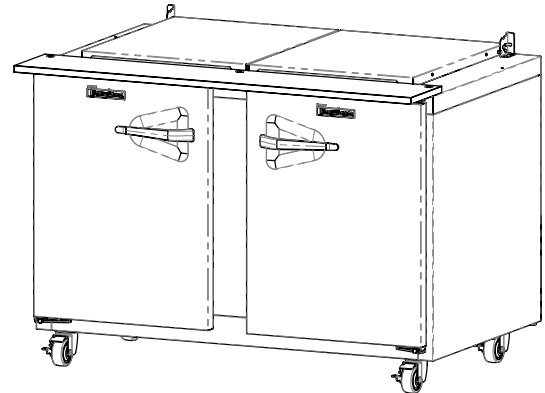
# UST SERIES

Compact Sandwich Prep Table  
Flat Cover/Self-Contained

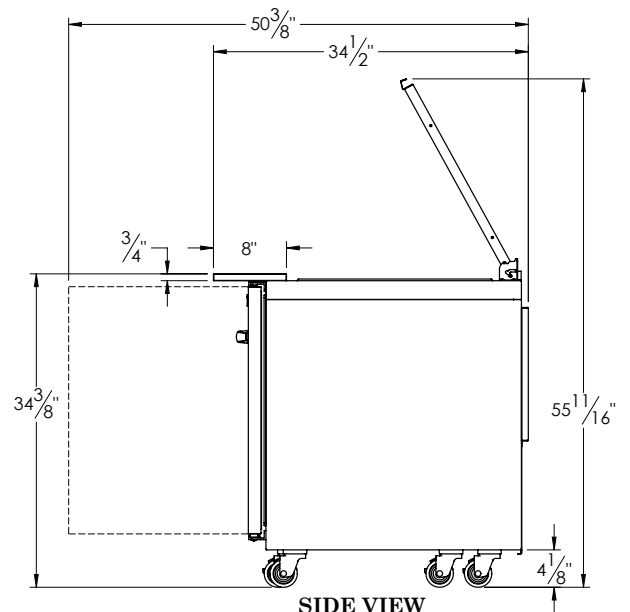
**MODEL:**  
UST4818-LR



**TOP VIEW**



**ELEVATION**



**SIDE VIEW**



# UST SERIES

Compact Sandwich Prep Tables  
Flat Cover/Self-Contained

## MODELS:

UST488-LR, UST488-LL, UST488-RR, UST4812-LR, UST4812-LL,  
UST4812-RR, UST4818-LR, UST4818-LL, UST4818-RR

## EQUIPMENT SPECIFICATIONS

MODELS	UST488	UST4812	UST4818
<b>DIMENSIONAL DATA</b>			
Net Capacity cu. ft.	14 (396.4 l)		
# of 1/6 Size Pan Top	8	12	18
Length - overall in.	48 (121.9 cm)		
Depth - overall in. <sup>1</sup>	34½ (87.6 cm)		
Depth - door open 90° in.	50¾ (128 cm)		
Clear door width in.	21⅛ (53.7 cm)		
Clear door height in.	27⅞ (68.7 cm)		
Depth - cutting board in.	12 (30.5 cm)	8 (20.3 cm)	
Height - overall on 4" casters	36 (91.4 cm)		
Height with lid open in. <sup>3</sup>	49⅞ (126.7 cm)	55⅞ (141.5 cm)	
# of Doors	2		
# of Shelves	4		
Total Shelf area sq. ft	10.3 (.96 m)		
<b>ELECTRICAL DATA (NEMA 5-15P attached)</b>			
Voltage	115/60/1		
Full Load Amperes	7.2		
<b>REFRIGERATION DATA</b>			
Refrigerant	R-290		
Refrigerant Amt oz.	5 (142 g)		
BTU/HR <sup>2</sup>   H.P.	1680   1/5 HP		
<b>SHIPPING DATA</b>			
Length - crated in.	69 (175 cm)		
Width - crated in.	42 (107 cm)		
Height - crated in.	41 (104 cm)		
Volume - crated cu. ft.	77 (2180 l)		
Weight - crated lbs.	332 (151 kg)		

### NOTES:

1. Overall depth includes standard cutting board
2. Compressor BTU based on a 90°F ambient and 20°F evaporator
3. Height includes 4" casters

When ordering please specify: Voltage, Hinging, and Options.

Equipped with one NEMA 5-15P Plug



### CONSTRUCTION, HARDWARE, INSULATION

Cabinet exterior front, sides, pan cover lid and doors are constructed of heavy gauge stainless steel. Cabinet interior and door liners are constructed of anodized aluminum. The exterior cabinet back at the bottom are constructed of galvanized steel.

Doors self close at less than 90 degrees and also includes a stay open feature at 105 degrees. Gasket profile and material simplify cleaning and increase overall gasket life.

Both the cabinet and doors are insulated with an average of 2" thick high density non-CFC, foamed in place polyurthane. A ¾" thick, full-length, reversible white nylon cutting board is supplied standard.

### PANS & COVER

Each model is supplied standard with its full compliment of 4" deep plastic 1/6 size pans and stainless steel pan dividers. The lid is constructed of stainless steel, and is easily removable for cleaning.

### REFRIGERATION SYSTEM

A balanced, rear mounted, front breathing, self-contained refrigeration system using environmentally-friendly, low GWP R-290 refrigerant is provided. It features a capillary tube metering device, air cooled hermetic compressor, a forced air evaporator coil and a non-electric condensate evaporator. An 8' cord and plug is provided. Standard operating temperature of the refrigerated base is 34° to 38°F (1.1° to 3.3°C).

### CONTROLLER

An electronic digital control is supplied standard. It includes a 3-Digit LED display, and a Fahrenheit or Celsius temperature scale display capability.

### INTERIOR

Standard interior arrangements include two (2) powder coated wire shelves per door, mounted on pilasters. These are adjustable in ½" (1.27 cm) increments, allowing for a minimum of 1½" (3.81 cm) spacing between shelves.

### WARRANTY

Both a six year parts and labor warranty and a seven year compressor parts warranty (self-contained models only) are provided standard.

CONTINUED PRODUCT DEVELOPMENT MAY NECESSITATE SPECIFICATION CHANGES WITHOUT NOTICE.